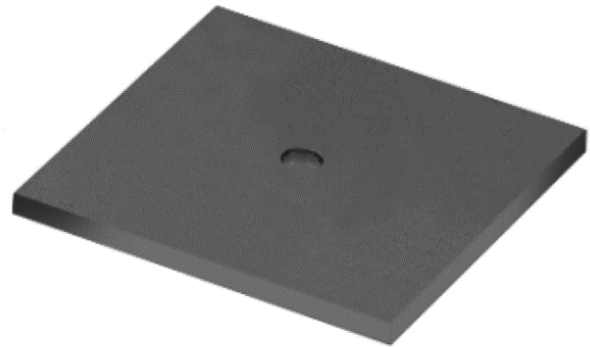
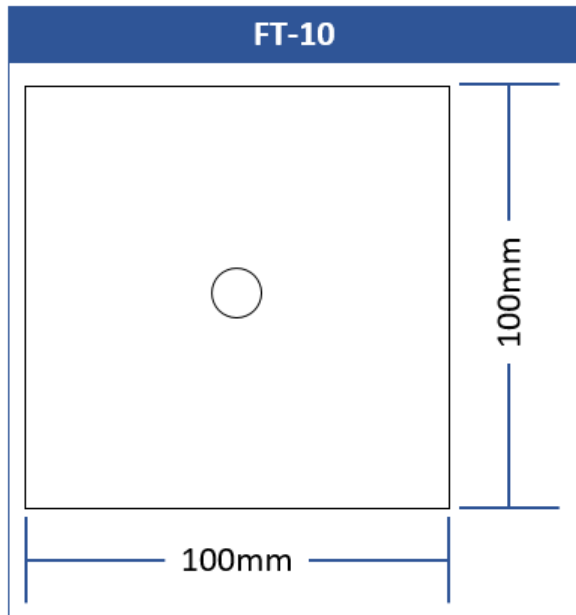




NTD SHIELDING SERVICES LTD

www.ntdshielding.co.uk

EMC Anechoic Absorber Ferrite Tile



FT10 – Representative Image

- High performance, ultra-thin absorber.
- Increases usable internal space while maintaining performance.
- Machined to a tolerance of ± 0.13 mm.
- Suitable for mounting on walls, ceilings and floors.

Product Features

- Applications:
 - ANSI C63.4
 - CISPR 16-1-4
 - IEC 61000-4-3
- Precision machined, 100mm x 100mm tiles
- 6.7mm Thickness
- Easily installed & removed for reuse
- 30 MHz - 1000 MHz

NTD SHIELDING SERVICES LTD

Unit 6, Fleet Lane Industrial Estate

St Helens, Merseyside

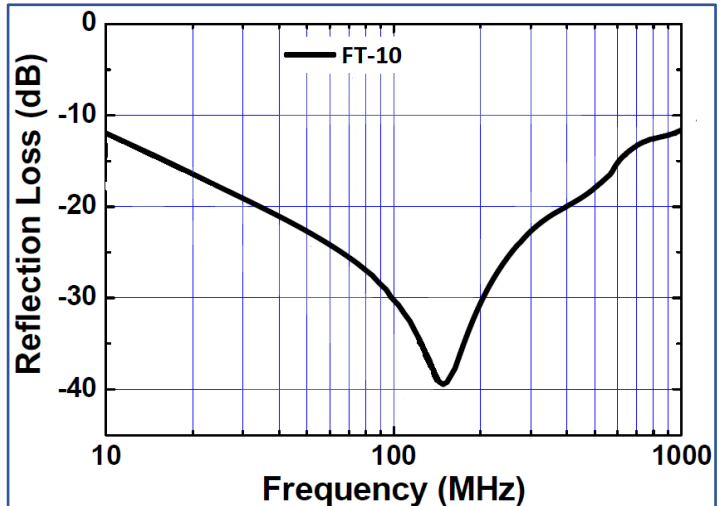
United Kingdom

WA9 1TA

Tel: +44 (0) 1744632156

Mob: +44 (0) 7920047059

Email: sales@ntdshielding.co.uk



CALL US FOR FURTHER INFORMATION